

TECHNICAL DATA

Measurements

| | |
|------------------------------------|----------|
| Width, head open | 1 765 mm |
| Width, head closed | 1 370 mm |
| Weight (from) | 1 790 kg |
| Height (in processing position) | 1 910 mm |
| Length (in processing position) | 1 805 mm |
| Optimal tree diameter | 500 mm |
| Optimal tree diameter in debarking | 350 mm |

Delimiting

| | |
|----------------------------------|--------|
| Number of delimiting knives | 3+1 |
| Max opening of front knives | 720 mm |
| Max opening of rear knives | 750 mm |
| Diameter front knives tip-to-tip | 480 mm |

Feeding

| | |
|-----------------------------|--------|
| Type of feed | 2WD |
| Diameter of feed rollers | 515 mm |
| Max opening of feed rollers | 700 mm |

Hydraulics

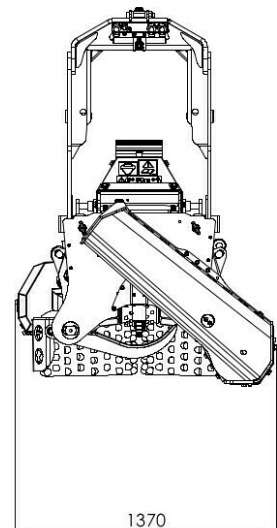
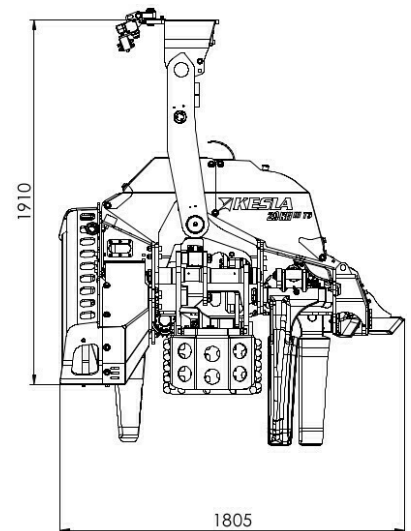
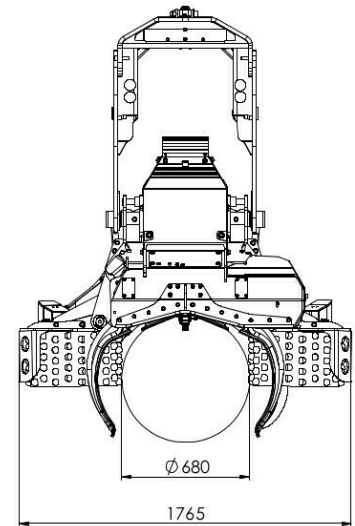
| | |
|--------------------------|-----------|
| Recommended pressure min | 250 bar |
| Max pressure | 280 bar |
| Recommend oil flow min | 210 l/min |
| Max oil flow | 320 l/min |

Electronics

| | |
|---------|------|
| Voltage | 24 V |
| Current | 15 A |

Recommended base machine

| | |
|------------------------------|------|
| Excavator min weight | 18 t |
| Excavator max weight | 30 t |
| Wheeled harvester min weight | 25 t |
| Wheeled harvester max weight | 30 t |



SAW AND FEEDMOTOR CONFIGURATION

Chain Saw Options

JPS R5500 41cc saw with auto chain tensioner & auto saw control

| | |
|------------------------|---------|
| Max cutting diameter | 770 mm |
| Max guide bar length | 90 cm |
| Chain pitch | 0.404 " |
| Saw motor displacement | 41 cc |
| Chain tightener | auto |
| Saw control | auto |



KESLA HD30 with automatic chain tensioner & auto saw control

| | |
|------------------------|---------|
| Max cutting diameter | 770 mm |
| Max guide bar length | 90 cm |
| Chain pitch | 0.404 " |
| Saw motor displacement | 30 cc |
| Chain tightener | auto |
| Saw control | auto |

KESLA HD30 3/4" with auto chain tensioner & auto saw control

| | |
|------------------------|--------|
| Max cutting diameter | 770 mm |
| Max guide bar length | 90 cm |
| Chain pitch | 0.75 " |
| Saw motor displacement | 30 cc |
| Chain tightener | auto |
| Saw control | auto |

Feed Motor Options

Rexroth 620cc

| | |
|------------------------------|-----------|
| Feed motor displacement | 620 cc |
| Feed force | 22.1 kN |
| Feed speed | 5 m/s |
| Recommended flow | 240 l/min |
| Recommended engine power min | 112 kW |

Rexroth 680cc

| | |
|------------------------------|-----------|
| Feed motor displacement | 680 cc |
| Feed force | 24.2 kN |
| Feed speed | 5 m/s |
| Recommended flow | 260 l/min |
| Recommended engine power min | 120 kW |

Rexroth 820cc

| | |
|------------------------------|-----------|
| Feed motor displacement | 820 cc |
| Feed force | 29.2 kN |
| Feed speed | 5 m/s |
| Recommended flow | 310 l/min |
| Recommended engine power min | 145 kW |

Rexroth 520cc

| | |
|------------------------------|-----------|
| Feed motor displacement | 520 cc |
| Feed force | 18.5 kN |
| Feed speed | 5.4 m/s |
| Recommended flow | 220 l/min |
| Recommended engine power min | 103 kW |

Rexroth 565cc

| | |
|------------------------------|-----------|
| Feed motor displacement | 565 cc |
| Feed force | 20.1 kN |
| Feed speed | 5 m/s |
| Recommended flow | 220 l/min |
| Recommended engine power min | 103 kW |

OPTIONAL EQUIPMENT

Control valve

| | |
|-------------|--|
| HA01-030-10 | STD (mechanical clamping pressure control) |
| HA01-030-11 | KESLA proCON |

Saw bar pressure control

| | |
|-------------|--------------|
| HA01-050-10 | STD (Manual) |
| HA01-050-11 | Proportional |

Tilt control

| | |
|-------------|--------------|
| HA01-055-10 | STD tilt |
| HA01-055-11 | proTILT |
| HA01-055-12 | proTILT Lock |

Chain oil pump

| | |
|-------------|------------------------------------|
| HA01-060-10 | Fixed volume, hydraulic |
| HA01-060-11 | KESLA Prolube, electric adjustable |
| HA01-060-12 | PROLUBE DUAL |

Feed roller

| | |
|-------------|------------------------------|
| HA01-070-10 | STD (KESLA steel rollers) |
| HA01-070-20 | KESLA EUCA-rollers |
| HA01-070-30 | KESLA euca-rollers, TURNABLE |
| HA01-070-70 | V-Tec |

Middle roller

| | |
|-------------|------|
| HA01-080-10 | STD |
| HA01-080-20 | EUCA |

Length measuring

| | |
|-------------|--------------------------------|
| HA01-090-12 | measuring roller KESLA HydCON+ |
| HA01-090-13 | KESLA hydCON+ w/ wide sprocket |
| HA01-090-14 | Sensors in feed motors |

Diameter measuring

| | |
|-------------|---|
| HA01-100-10 | No diameter measuring equipment installed |
| HA01-100-11 | STD Analog sensor, current output (mA) |
| HA01-100-12 | Double pulse encoders |

Wire harness for control system

| | |
|-------------|-------------------------|
| HA01-110-10 | None |
| HA01-110-11 | Motomit |
| HA01-110-12 | KESLA proLOG or xLogger |
| HA01-110-13 | Dasa d4 |

Front delimiting knives

| | |
|-------------|------------------|
| HA01-115-10 | STD cast knives |
| HA01-115-11 | HD knives (cast) |

Pressure accumulators for knives

| | |
|-------------|--|
| HA01-120-13 | Front & rear knives |
| HA01-120-14 | Front & rear knives (accumulators unpressurized for air freight) |

Upper fixed delimiting knife

| | |
|-------------|--|
| HA01-130-10 | STD (casted knife) |
| HA01-130-11 | SHORT (27RH-II... 30RH-II, welded steel) |

Color marking HA01-170-11**Stump treatment** HA01-180-11**Control valve for rotator** HA01-190-11**Find end sensor** HA01-210-11**Spare hose kit** HA01-220-11**Spare parts kit**

| | |
|-------------|--|
| HA01-230-11 | STD kit (for a head with measuring wheel) |
| HA01-230-12 | For head with length encoders in feed motors |

Tool kit

| | |
|-------------|---|
| HA01-240-11 | KESLA special tool kit |
| HA01-240-12 | Universal tool kit |
| HA01-240-13 | KESLA special tool kit + Universal tool kit |

Rotator & link

| | |
|-------------|---|
| HA01-250-11 | Black Bruin BBR15HD + link 250 mm w/ dual swing damper (#3160256) |
| HA01-250-13 | Indexator AV 17 (#3160469) + link w/o swing damper (#90019958) |
| HA01-250-50 | Black Bruin RH3016 + 240 mm link w/ dual swing damper |
| HA01-250-51 | Black Bruin RH3016 + 240 mm link w/o swing damper |
| HA01-250-60 | Indexator HX30LS + MPB-link w/ double swing dampers |

Control and Measuring System

| | |
|-------------|--|
| HA01-260-11 | KESLA xLogger with Priority-Bucking software |
| HA01-260-12 | KESLA proLOG |
| HA01-260-14 | KESLA xLogger with Bucking-to-value software |

Installation kit for control and measuring system

HA01-270-11

Joystick grips

| | |
|-------------|--|
| HA01-280-11 | SUREGRIP with 2x10 buttons preset keypads |
| HA01-280-12 | SUREGRIP with 1x10 buttons preset keypad |
| HA01-280-15 | SVAB grips |