

TECHNICAL DATA

Measurements

Width, head open	1 540 mm
Width, head closed	1 115 mm
Weight (from)	1 010 kg
Height (in processing position)	1 630 mm
Length (in processing position)	1 510 mm
Optimal tree diameter	400 mm
Optimal tree diameter in debarking	300 mm

Delimiting

Number of delimiting knives	4+1
Max opening of front knives	600 mm
Max opening of rear knives	700 mm
Diameter front knives tip-to-tip	390 mm

Feeding

Type of feed	2WD
Diameter of feed rollers	460 mm
Max opening of feed rollers	580 mm

Hydraulics

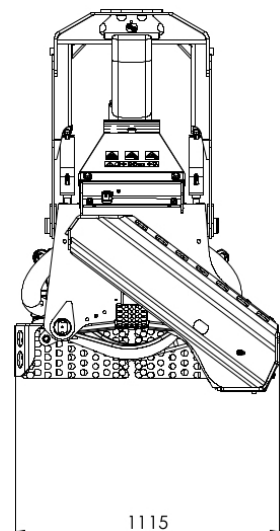
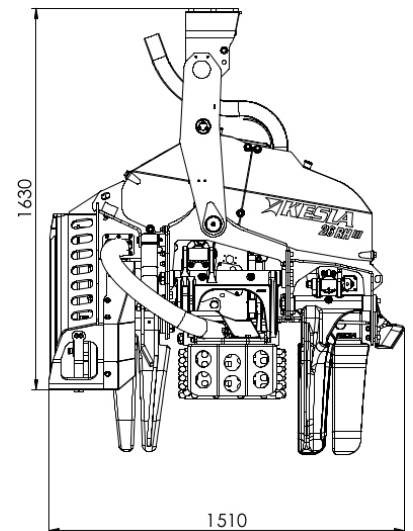
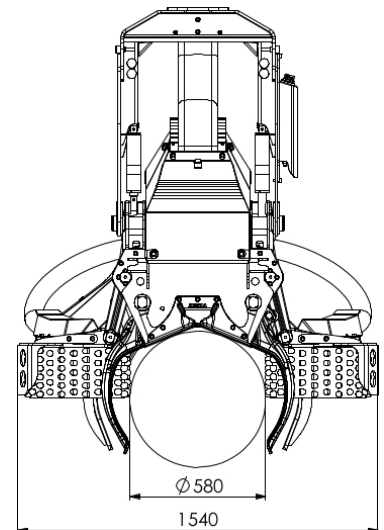
Recommended pressure min	250 bar
Max pressure	280 bar
Recommend oil flow min	160 l/min
Max oil flow	250 l/min

Electronics

Voltage	24 V
Current	15 A

Recommended base machine

Excavator min weight	12 t
Excavator max weight	16 t
Wheeled harvester min weight	15 t
Wheeled harvester max weight	22 t



SAW AND FEEDMOTOR CONFIGURATION

Chain Saw Options

JPS R5500 32cc saw with auto chain tensioner, auto saw control

Max cutting diameter	650 mm
Max guide bar length	75 cm
Chain pitch	0.404 "
Saw motor displacement	32 cc
Chain tightener	auto
Saw control	auto



KESLA HD30 with automatic chain tensioner, manual saw control

Max cutting diameter	650 mm
Max guide bar length	75 cm
Chain pitch	0.404 "
Saw motor displacement	30 cc
Chain tightener	auto
Saw control	manual

KESLA HD30 with automatic chain tensioner, auto saw control

Max cutting diameter	650 mm
Max guide bar length	75 cm
Chain pitch	0.404 "
Saw motor displacement	30 cc
Chain tightener	auto
Saw control	auto

KESLA HD19 with automatic chain tensioner, manual saw control

Max cutting diameter	650 mm
Max guide bar length	75 cm
Chain pitch	0.404 "
Saw motor displacement	19 cc
Chain tightener	auto
Saw control	manual

KESLA HD19 with automatic chain tensioner, auto saw control

Max cutting diameter	650 mm
Max guide bar length	75 cm
Chain pitch	0.404 "
Saw motor displacement	19 cc
Chain tightener	auto
Saw control	auto

SuperCut 150 saw with automatic chain tensioner and saw control

Max cutting diameter	650 mm
Max guide bar length	75 cm
Chain pitch	0.404 "
Saw motor displacement	30 cc
Chain tightener	auto
Saw control	auto

Feed Motor Options**Poclain 565cc**

Feed motor displacement	565 cc
Feed force	23 kN
Feed speed	5 m/s
Recommended flow	235 l/min
Recommended engine power min	78 kW

Rexroth 565cc

Feed motor displacement	565 cc
Feed force	23 kN
Feed speed	5 m/s
Recommended flow	235 l/min
Recommended engine power min	78 kW

Rexroth 470cc

Feed motor displacement	470 cc
Feed force	19 kN
Feed speed	5 m/s
Recommended flow	195 l/min
Recommended engine power min	65 kW

Rexroth 380cc

Feed motor displacement	380 cc
Feed force	16 kN
Feed speed	5 m/s
Recommended flow	158 l/min
Recommended engine power min	53 kW

Poclain Optiflow 560cc

Feed motor displacement	565 cc
Feed force	23 kN
Feed speed	5 m/s
Recommended flow	235 l/min
Recommended engine power min	78 kW

Poclain Optiflow 468cc

Feed motor displacement	468 cc
Feed force	19 kN
Feed speed	5 m/s
Recommended flow	195 l/min
Recommended engine power min	65 kW

Poclain Optiflow 376cc

Feed motor displacement	376 cc
Feed force	16 kN
Feed speed	5 m/s
Recommended flow	158 l/min
Recommended engine power min	53 kW

Poclain Optiflow 625cc

Feed motor displacement	625 cc
Feed force	25 kN
Feed speed	5 m/s
Recommended flow	260 l/min
Recommended engine power min	86 kW

OPTIONAL EQUIPMENT

Control valve

HA10-030-10	STD (mechanical clamping pressure control)
HA10-030-11	KESLA proCON

Saw bar pressure control

HA10-050-10	STD (Manual)
HA10-050-11	Proportional

Tilt control

HA10-055-10	STD tilt
HA10-055-11	proTILT
HA10-055-12	proTILT Lock

Chain oil pump

HA01-040-60	SuperCut 150 saw with automatic chain tensioner and saw control
HA10-060-10	Fixed volume, hydraulic
HA10-060-11	KESLA Prolube, electric adjustable

Feed roller

HA10-070-10	STD (KESLA steel rollers)
HA10-070-20	KESLA EUCA-rollers
HA10-070-55	MOIPU Xtreme
HA10-070-60	FINNSKOGSVALSEN
HA10-070-70	V-Tec
HA10-070-75	E-Tec- feed roller for euca

Middle roller

HA10-080-10	STD
HA10-080-20	EUCA

Length measuring

HA10-090-12	measuring roller KESLA HydCON+
HA10-090-14	Sensors in feed motors (Rexroth motors)
HA10-090-18	measuring roller KESLA HydCON+ wide sprocket

Diameter measuring

HA10-100-10	No diameter measuring equipment installed
HA10-100-11	STD Analog sensor, current output (mA)
HA10-100-12	Double pulse encoders
HA10-100-13	Analog sensor, voltage output (mV)

Wire harness for control system

HA10-110-10	None
HA10-110-11	Motomit
HA10-110-12	KESLA proLOG or xLogger
HA10-110-13	Dasa d4

Front delimiting knives

HA10-115-10	STD cast knives
HA10-115-11	Long HD knives

Pressure accumulators for knives

HA10-120-13	Front & rear knives
HA10-120-14	Front & rear knives (accumulators unpressurized for air freight)

Connector block for hoses

HA10-150-11

Color marking

HA10-170-11

Stump treatment

HA10-180-11

Control valve for rotator

HA10-190-11	PROPO, proportional control
HA10-190-12	ON/OFF

Find end sensor

HA10-210-11

Spare hose kit

HA10-220-11

Spare parts kit

HA10-230-11	STD kit (for a head with measuring wheel)
HA10-230-12	For head with length encoders in feed motors (Rexroth)
HA10-230-13	For head with length encoders in feed motors (Poclain)

Tool kit

HA10-240-11	KESLA special tool kit
HA10-240-12	Universal tool kit
HA10-240-13	KESLA special tool kit + Universal tool kit

Rotator & link

HA10-250-11	Black Bruin BBR15HD + link 250 mm w/ dual swing damper (#3160256)
HA10-250-13	Indexator AV 17 (#3160469) + link w/o swing damper (#90019958)
HA10-250-20	Indexator AV12S + link w/o swing damper
HA10-250-21	Indexator AV12S link w/ single swing damper S-80
HA10-250-22	Indexator AV12S + link w/ double swing damper S-80
HA10-250-23	Indexator AV12S + link w/ double swing damper S-100
HA10-250-50	Black Bruin RH3016 + 240 mm link w/ dual swing damper
HA10-250-51	Black Bruin RH3016 + 240 mm link w/o swing damper

Control and Measuring System

HA10-260-11	KESLA xLogger with Priority-Bucking software
HA10-260-12	KESLA proLOG
HA10-260-14	KESLA xLogger with Bucking-to-value software

Installation kit for control and measuring system

HA10-270-11

Joystick grips

HA01-280-15	SVAB grips
HA10-280-11	SUREGRIP with 2x10 buttons preset keypads
HA10-280-12	SUREGRIP with 1x10 buttons preset keypad
HA10-280-15	SVAB grips